

48kW¹ Fortress™ Standby Generator



FORTRESS™ The Smart Choice

Introducing our dealer exclusive line. Available at your local Briggs & Stratton Dealer with these great features:



Parts • Labor • Travel
Limited Warranty³



Corrosion Resistant Aluminum Enclosure

- Durable enclosures are built to last, protecting against extreme weather conditions and corrosion

Easy to Service

- Convenient internal swing open doors allow easy access to the engine; no more taking apart the bolted finger guards, saving the hassle of disassembly

Quality Clean Power

- Ensures that electronics are safely powered

Durable Industrial Engine

- Found in industrial applications, the premium industrial 1,800 RPM engine provides strong, reliable power without giving up quiet operation or durability

NFPA-110

- May be used in NFPA-110, Level 2, applications with appropriate accessories⁴

Generator Set Rating

Model	Voltage	Power Factor	Phase ²	Hz	Circuit Breaker Amps	Liquid Propane Vapor			Natural Gas		Limited Warranty ³	
						kW ¹ / kVA	Amps	kW ¹ / kVA	Amps	Controller	Parts, Labor, Travel	
076850	120 / 240	1.0	1	60	200	48 / 48	200	45 / 45	187	Briggs & Stratton®	6 Year	

¹ This generator is rated in accordance with UL (Underwriters Laboratories) 2200 (stationary engine generator assemblies) and CSA (Canadian Standards Association) standard C22.2 No. 100-14 (motors and generators).

² Single phase units are rated at 1.0 power factor and three phase units are rated 0.8 power factor.

³ See operator's manual or briggsandstratton.com for complete warranty details.

⁴ This unit must be installed, by licensed contractor, in accordance with requirements of NFPA-110 codes and standards as defined in NEC Article 701, in addition to local AHJ requirements. This generator set is not authorized by Briggs & Stratton for use in NFPA-110, Level 1 applications.



Engine Specifications

Engine	
Manufacturer	PSI
Type	4.3L Industrial Powertrain 4 Cycle, Naturally Aspirated
Speed (RPM)	1800
Cylinder Arrangement	V6
Displacement (L)	4.3
Bore & Stroke (in / mm)	4 x 3.48 / 101.6 x 88
Compression Ratio	9.8:1
Governor Type	Electronic
Frequency Regulation Steady State	+/- 0.5%
Frequency Regulation No-load to Full-load	Isochronous
Air Filter Type	Dry
Limited Warranty³	3 Years Parts, Labor and Travel
Lubrication System	
Type	Full Pressure
Oil Capacity (qt / L)	4.5 / 4.3
Oil Filter (Quantity / Type)	1 / Spin-On
Cooling System	
Heat Rejected to Cooling Water at Rated Load (BTU/min / kcal/sec)	2300 / 9.7
Water Pump Type	Centrifugal
Sound Rating at 7 Meters, Lowest Side	
No Load	67 dB(A) ²
Air Induction System	
Combustion Air (cfm / m³/min)	112 / 3.2

Electrical System	
Ignition System	HVS Distributor
Battery Quantity	1
Battery Voltage (VDC)	12
Battery CCA (A)	775
Battery Charging Alternator	
Ground (Negative/Positive)	Negative
Voltage (VDC)	12
Amperage (A)	70
Starter Motor Voltage (VDC)	12

Exhaust System	
Exhaust Manifold Type	Dry
Exhaust Flow at Rated Load (cfm / m³/min)	362 / 10.3
Exhaust Temperature at Rated Load (°F / °C)	1350 / 732
Maximum Allowable Back Pressure (in Hg / kPa)	3 / 10.2

Fuel System	
Fuel Type	LPV or NG
Fuel Supply Line Inlet	1 NPT
Recommended Fuel, Lower Heating Value Minimum (BTU/ft³ / MJ/m³)	NG - 904 / 34.3 LPV - 2338 / 87.1
Fuel Supply Pressure (in H₂O / mbar)	7-11 / 17-28

Fuel Consumption ⁴			
	Full Load	1/2 Load	No Load
BTU/hr	NG - 471,000 LP - 505,670	NG - 298,000 LP - 312,177	NG - 152,000 LP - 135,654
ft³/hr	NG - 471 LP - 202	NG - 298 LP - 125	NG - 152 LP - 54
m³/hr	NG - 13.3 LP - 5.7	NG - 8.4 LP - 3.5	NG - 4.3 LP - 1.5

Engine Output Deratings	
Rated Temperature (°F / °C)	77 / 25
Rated Altitude	1200 ft (366 m) Above Sea Level
Temperature Derate	1.5% for Each 10°F (5.6°C) Above Rated Temperature
Altitude Derate	2.5% for Each 1000 ft (305 m) Above Rated Altitude

¹ This generator is rated in accordance with UL (Underwriters Laboratories) 2200 (stationary engine generator assemblies) and CSA (Canadian Standards Association) standard C22.2 No. 100-14 (motors and generators).
² Lowest measurement of 12 microphones around generator. Sound level measurement at other locations around generator may be different depending upon installation configuration.
³ See operator's manual or BRIGGSandSTRATTON.com for complete warranty details.
⁴ Fuel consumption rates are estimated based on normal operating conditions at 1/2 load. Generator operation may be greatly affected by elevation and the cycling operation of multiple electrical appliances - fuel flow rates may vary depending on these factors.



Additional Standard Features

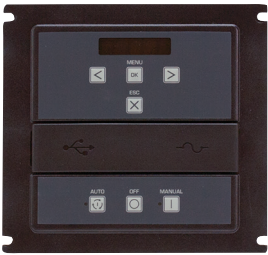
Weight & Dimensions

Assembled Weight (lbs / kg)	1634 / 741
Overall Dimensions (in / mm)	91 x 39.4 x 41 / 2311 x 1001 x 1041
Packaged Weight (lbs / kg)	2033 / 922
Packaged Dimensions (in / mm)	103.9 x 48 x 50.4 / 2639 x 1219 x 1280

Available Accessories

6343	Battery Warmer
6517	InfoHub™
6144	Remote LED Kit
6471	Retrofit Module
6491	Local Emergency Stop Switch

Standard Controllers

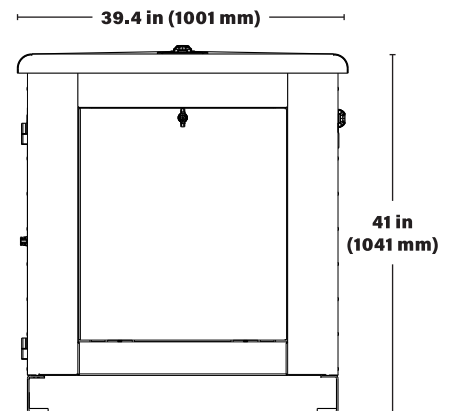
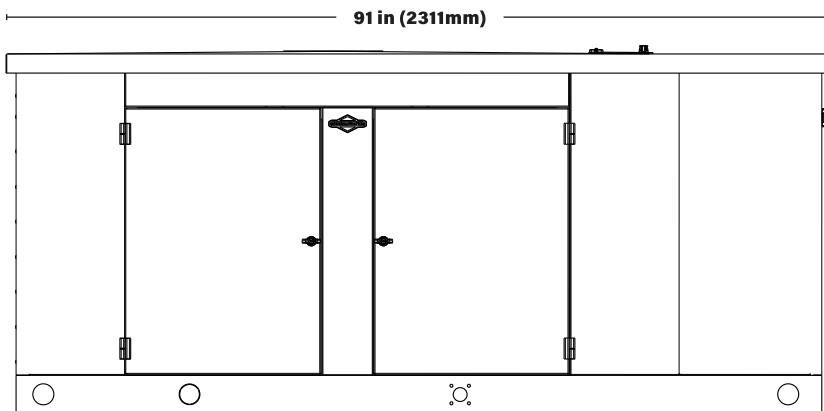


Briggs & Stratton® AMF Controller for Single-Phase

- User-friendly control panel for troubleshooting
- Conveniently monitors diagnostic conditions, displays system fault codes and sets weekly exercise cycle
- Easy-to-read alpha-numeric scrolling display
- UL recognized

Other Features

- Battery rack and cables
- Electronic, isochronous governor
- Gas fuel system (includes fuel mixer, electronic secondary gas regulator, gas solenoid valve, and flexible fuel line between the engine and the skid-mounted fuel system components)
- Integral vibration isolation
- Oil drain extension
- Operation and installation literature²



¹ This generator is rated in accordance with UL (Underwriters Laboratories) 2200 (stationary engine generator assemblies) and CSA (Canadian Standards Association) standard C22.2 No. 100-14 (motor and generators).

² The installation manual contains specific instructions related to generator placement in addition to NFPA 37, including the requirement that carbon monoxide detectors be installed and maintained in your home.



Alternator Specifications

1 Phase

Model	076850
Alternator Model	50BSPP-0
Manufacturer	Coliseum
Type	Brushless, 4-Lead
Frequency (Hz)	60
Phase	1
Alternator Configuration	-
Exciter Type	Self-Excited
Number of Poles	4
Voltage Regulator	Analog, 1-Phase Sensing
Insulation Rating	Class H
Designed Temperature Rise Limit	125°C
Bearing (Quantity / Type)	1 / Sealed
Coupling	Flexible Disk
Amortisseur Windings	Full
Voltage Regulation, NL to FL	+/- 1.0%
One Step Load Acceptance	100% of Rating
Total Harmonic Distortion (THD), NL to FL	< 5.0

- Windings are insulated using the latest vacuum pressure impregnation technologies
- Superior voltage waveform from a two-thirds pitch stator and skewed main stator
- Manufactured according to the following standards: UL1004, NEMA MG1, IEC 60034-1



Support every step of the way

Need help? Visit BRIGGSandSTRATTON.com

Complete the web form and a local dealer will contact you to answer questions on our generators, transfer switches and accessories.

Call us today!

601-922-4444

www.taylorgenerators.com

¹ This generator is rated in accordance with UL (Underwriters Laboratories) 2200 (stationary engine generator assemblies) and CSA (Canadian Standards Association) standard C22.2 No. 100-14 (motor and generators).

Briggs & Stratton has a policy of continuous product improvement and reserves the right to modify its specifications at any time and without prior notice.

This standby is Not for Prime Power applications.

BS1160 - 8/18

