

**EPA Certified / Stationary Emergency**

OUTPUT POWER OPTIONS					125°C RISE STANDBY RATING		105°C RISE CONTINUOUS RATING		sKVA
Make	Voltage	Alternator	Phase	Hertz	kW/kVA	Amps	kW/kVA	Amps	30% Voltage Dip
Marathon	600	363PSL1658	3	60	125/156	151	110/138	132	473
	277/480	363CSL1607	3	60	125/156	188	110/138	166	473
	120/208	363CSL1607	3	60	125/156	434	110/138	382	355
	120/240	363CSL1607	3	60	125/156	376	110/138	331	355
	120/240	363CSL1607	1	60	97/97	404	90/90	375	157
	120/240	431PSL6222	1	60	115/115	479	110/110	458	120
Stamford	600	UCI274E17	3	60	125/156	151	110/138	132	640
	277/480	UCI274E311	3	60	125/156	188	112/140	169	580
	120/208	UCI274E311	3	60	125/156	434	112/140	389	450
	120/240	UCI274E311	3	60	125/156	376	112/140	337	450
	120/240	UCI274E311	1	60	96/96	400	84/84	350	304
	120/240	UCI274F06	1	60	125/125	521	110/110	458	418
Stamford	277/480	UCI274F311	3	60	135/169	203	120/150	181	670
	120/208	UCI274F311	3	60	135/169	469	120/150	417	508
	120/240	UCI274F311	3	60	135/169	406	120/150	361	508
	120/240	UCI274F311	1	60	109/109	454	98/98	408	345



**Engine Data**

Manufacturer	Perkins
Model	1106D-E70TAG2
Aspiration	Turbocharged
Charge Air Cooling System	Air-to-Air
EPA Tier	3
Arrangement	Inline, 4-Cycle
Firing Order	1-5-3-6-2-4
Displacement: L (in. <sup>3</sup> )	7.01 (427.78)
Bore: mm (in.)	105.00 (4.13)
Stroke: mm (in.)	135.00 (5.32)
Compression Ratio	16.8:1
BMEP: psi (kPa)	235.86 (1626.20)
Net Horsepower	215.74
Rated RPM	1800
Governor	Isochronous
Speed Regulation	±0.18%

**Engine Liquid Capacity**

Oil System: qt. (L)	18.49 (17.50)
Cooling System Capacity: gal (L)	5.55 (21.00)

**Engine Electrical**

Electric Volts: DC	12
Cold Cranking Amps	925
Battery(s) Required	1

**Fuel System**

Fuel Injection Type	Electronic CRIN2
Fuel Pump Rate: gal/hr (L/hr)	104.61 (396.00)
Pump Maximum Suction Head: in. H <sub>2</sub> O (kPa)	-68.23 (-17.00)
Pump Maximum Pressure Head: in. H <sub>2</sub> O (kPa)	40.13 (10.00)
Max Fuel Inlet Temp.: °F (°C)	167.00 (75.00)
Recommended Fuel	Low Sulfur Diesel

**Air Requirements**

Air Filter(s) Type	Dry
Combustion Air Flow: CFM (m <sup>3</sup> /min)	508.53 (14.40)
Cooling Fan Air Flow: CFM (m <sup>3</sup> /min)	9963.1 (282.1)
Maximum Air Intake Restriction	
Clean: in. H <sub>2</sub> O (kPa)	16.05 (4.00)
Dirty: in. H <sub>2</sub> O (kPa)	32.11 (8.00)

**Exhaust System**

Gas Temperature: °F (°C)	842.0 (450.0)
Gas Flow: CFM (m <sup>3</sup> /min)	1056.0 (29.9)
Max Exhaust Back Pressure: in. H <sub>2</sub> O (kPa)	60.20 (15.00)
Exhaust Outlet Size: in. (mm)	4.56 (115.90)

**Sound Level**

Open Unit Without Exhaust: dBA 3.2 ft (1M)	98.7
--	------

**Filters and Quantity**

Air Cleaner Quantity	1
Oil Filter(s) Quantity	1
Fuel Filter(s) Quantity	2

**Fuel Consumption - 125°C**

At 100% of Power Rating: gal/hr (L/hr)	11.39 (43.10)
At 75% of Power Rating: gal/hr (L/hr)	10.49 (39.70)
At 50% of Power Rating: gal/hr (L/hr)	8.48 (32.10)
At 25% of Power Rating: gal/hr (L/hr)	5.87 (22.20)

**Fuel Consumption - 105°C**

At 100% of Power Rating: gal/hr (L/hr)	N/A
At 75% of Power Rating: gal/hr (L/hr)	N/A
At 50% of Power Rating: gal/hr (L/hr)	N/A
At 25% of Power Rating: gal/hr (L/hr)	N/A

**Cooling System**

Rejection to Charge Cooler: kW (BTUM)	32.5 (1848.2)
Rejection to Coolant & Oil: kW (BTUM)	74.9 (4259.5)
Coolant Flow: gal/min (L/min)	44.9 (170.0)

**GENERAL GUIDELINES FOR DERATION:** Altitude: Derate 0.5% per 100m (328 ft.) Elevation above 1000m (3279 ft.) Temperature: Derate 1.0% per 10°C (18°F) temperature above 25°C (77°F)

**RATINGS:** All three-phase units are rated at 0.8 power factor. All single-phase units are rated at 1.0 power factor.

**125° RATINGS:** 125° apply to installations served by a reliable utility source. The standby rating is applicable to varying loads for the duration of a power outage. There is no overload capability for this rating. Ratings are in accordance with ISO-3046/1, BS 5514, AS 2789, and DIN 6271.

**105° RATINGS:** 105° ratings apply to installations where utility power is unavailable or unreliable. At varying load the number of generator set operating hours is unlimited. A 10% overload capacity is available for one hour in twelve. Ratings are in accordance with ISO-8528/1, overload power in accordance with ISO-3046/1, BS5514, AS2789, and DIN 6271. For limited running time and base load ratings consult the factory. The generator set manufacturer reserves the right to change the design or specifications without notice and without any obligation or liability whatsoever.

## Alternator Data

Manufacturer	Marathon	
Type	PMG	
Insulation NEMA Rise/Temp	NEMA N/125°C	
Hertz	60	
Phase	3	
RPM	1800	
Leads	12	
Amortisseur Windings	Full	
CFM Cooling Required	700	
Voltage Regulator	DVR2000E+	PM500
Sensing	Three Phase	Three Phase
Voltage Regulation	0.25%	0.25%

## Features

- NEMA MG1-32, BS5000, and IEC 34-1 compliant; CE & CSA Certified and UL Listed
- Self-ventilated and drip proof construction
- Two-thirds pitch stator and skewed rotor
- Wet wound, epoxied field windings
- Designed to withstand overspeeds of up to 125%
- Hybrid analog/digital voltage regulator
- Under frequency protection
- Under frequency indication light
- Less than one cycle response time
- Over excitation protection
- Over excitation indication light
- Easy access front-panel adjustments
- Over voltage protection shutdown
- Analog input for paralleling

## Alternator Data

Manufacturer	Stamford	
Type	PMG	
Insulation NEMA Rise/Temp	NEMA H/125°C	
Hertz	60	
Phase	3	
RPM	1800	
Leads	12	
Amortisseur Windings	Full	
CFM Cooling Required	1463	
Voltage Regulator	MX341	MX321
Sensing	Single Phase	Three Phase
Voltage Regulation	1.0%	0.50%

## Features

- BS EN 60034, BS5000, VDE 0530, NEMA MG1-32, IEC34, CSA C22.2-100, and AS1359 complaint
- IP23 enclosure
- Dynamically balanced to exceed BS6861:Part 1 Grade 2.5 vibration standard
- Quality assurance to BS EN ISO 9001
- Self-ventilated and
- Drip proof construction
- Two-thirds pitch stator and skewed rotor
- Heavy duty bearings
- Fully guarded
- Overexcitation protection
- Under frequency protection
- Analog input
- Overvoltage protection
- Paralleling compatible



## DGC2020 Digital Controller

- Integrated engine-genset control, protection, and metering
- Microprocessor allows for exact measurement, setpoint adjustment, and timing functions
- Front panel 3 position controls and indicators enable quick and simple operation
- Emergency stop push button and an Alarm Horn with silence button
- A wide temperature-range liquid crystal display (LCD) with backlighting
- SAE J1939 Engine ECU communications
- Remote RS-485 communications for Optional RDP-110 Remote Annunciator
- 4 programmable contact inputs and 10 contact outputs (2 ADC rated)
- Modbus Communications with RS-485, Battery Backup for Real Time Clock, UL recognized, CSA certified, CE approved, HALT (Highly Accelerated Life Tests) tested
- IP 54 Front Panel rating with integrated gasket and NFPA 110 Level 1 Compatible.
- Manual Override Keyswitch



## Analog Controller with Emergency Bypass Key Switch

- Automatic CANBUS Engine Control
- Oil Pressure, Water Temperature, Battery Voltage and RPM Gauges
- Automatic Gauge Zeroing on Shutdown
- AC Voltage, Frequency, Percent of Load, and Run-Time Metering
- 3-Position Auto-Off-Manual Control Switch
- LED Status Lights: Low Oil Pressure, High Temperature, Overcrank, Overspeed, & Engine Start



Standard Features:

Warranty

2 Year Standard
5 Year Comprehensive

- Heavy Duty Steel Base
- Vibration Isolators
- Oil Drain Valve with Extension
- Battery Rack & Cables
- High Ambient Unit Mounted Radiator
- Battery Charging Alternator
- Factory Powder Coating
- Factory Test
- Owner's Manual

Controller Options

DGC-2020HD Controller
Fiber Optic Ethernet (DGC-2020HD)
RS-232 Port & Generator Protection (DGC-2020)
Flush or Surface Mount Remote Annunciator
Remote Mount Break Glass E-Stop Switch

Miscellaneous Options:

- Battery Charger
- Coolant Drain Kit
- Block Heater
- Line Circuit Breaker
- Pad Type Battery Heater
- Battery Heater Blanket w/Thermostat
- Oil Pan Heater
- Generator Strip Heater

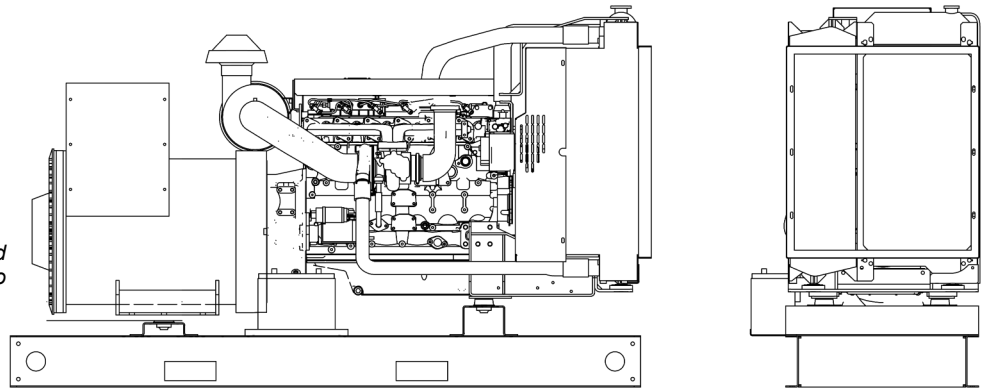
Open Unit

Options:

- Radiator Duct Flange
- Flex Exhaust
- Critical Silencer
- Sub-Base Fuel Tank

OVERALL SIZE: 98"L x 30"W x 62"H  
Approximate Weight: 3,500 lbs.

Note: Dimensions and weights reflect standard open unit with no options and are subject to change.



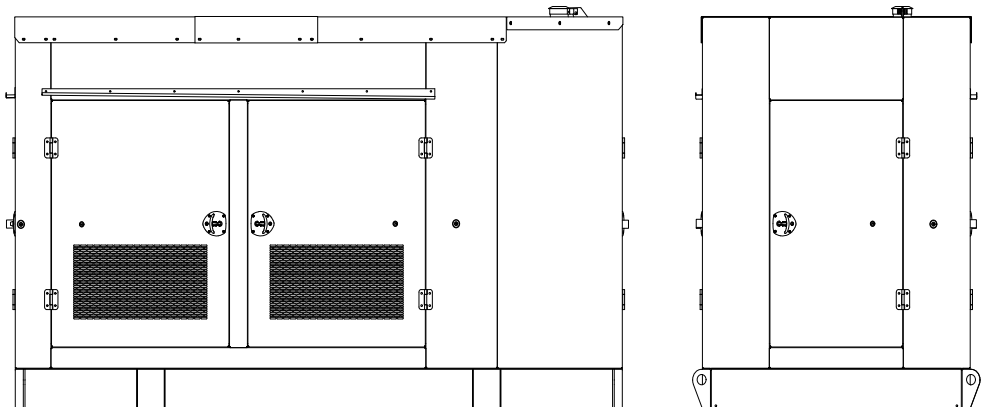
Standard Enclosed Unit

Options:

- Sound Attenuated Enclosure
- Load Center, Lights & GFI Receptacle
- Sub-Base Fuel Tank

OVERALL SIZE: 136"L x 60"W x 78"H  
Approximate Weight: 5,500 lbs.

Note: Dimensions and weights reflect standard enclosed unit with no options and are subject to change.



Note: The above drawings are provided for reference only and should not be used for planning installation.

Contact your local distributor for more information.