

EPA Certified / Stationary Emergency

OUTPUT POWER OPTIONS					125°C RISE STANDBY RATING		105°C RISE CONTINUOUS RATING		sKVA
Make	Voltage	Alternator	Phase	Hertz	kW/kVA	Amps	kW/kVA	Amps	30% Voltage Dip
Marathon	600	431PSL6242	3	60	175/219	211	162/203	195	519
	277/480	431CSL6204	3	60	175/219	263	162/203	244	519
	120/208	431CSL6204	3	60	175/219	608	162/203	563	390
	120/240	431CSL6204	3	60	175/219	527	162/203	488	390
	120/240	431CSL6204	1	60	135/135	563	125/125	521	136
	120/240	431PSL6226	1	60	175/175	729	155/155	646	310
Marathon	277/480	431CSL6206	3	60	180/225	271	166/208	250	664
	120/208	431CSL6206	3	60	180/225	625	166/208	577	498
	120/240	431CSL6206	3	60	180/225	542	166/208	500	498
	120/240	431CSL6206	1	60	160/160	667	150/150	625	185
Stamford	600	UCI274H17	3	60	175/219	211	162/203	195	840
	277/480	UCI274H311	3	60	175/219	263	162/203	244	902
	120/208	UCI274H311	3	60	175/219	608	162/203	563	723
	120/240	UCI274H311	3	60	175/219	527	162/203	488	723
	120/240	UCI274H311	1	60	142/142	592	131/131	546	485
	120/240	UCI274H06	1	60	156/156	650	144/144	600	555



Engine Data

Manufacturer	Perkins
Model	1106D-E70TAG4
Aspiration	Turbocharged
Charge Air Cooling System	Air-to-Air
EPA Tier	3
Arrangement	Inline, 4-Cycle
Firing Order	1-5-3-6-2-4
Displacement: L (in. ³)	7.01 (427.78)
Bore: mm (in.)	105.00 (4.13)
Stroke: mm (in.)	135.00 (5.32)
Compression Ratio	16.8:1
BMEP: psi (kPa)	288.80 (1991.20)
Net Horsepower	267.2
Rated RPM	1800
Governor	Isochronous
Speed Regulation	±0.28%

Engine Liquid Capacity

Oil System: qt. (L)	18.49 (17.50)
Cooling System Capacity: gal (L)	5.55 (21.00)

Engine Electrical

Electric Volts: DC	12
Cold Cranking Amps	925
Battery(s) Required	1

Fuel System

Fuel Injection Type	Electronic CRIN2
Fuel Pump Rate: gal/hr (L/hr)	104.61 (396.00)
Pump Maximum Suction Head: in. H ₂ O (kPa)	-68.23 (-17.00)
Pump Maximum Pressure Head: in. H ₂ O (kPa)	40.13 (10.00)
Max Fuel Inlet Temp.: °F (°C)	167.00 (75.00)
Recommended Fuel	Low Sulfur Diesel

Air Requirements

Air Filter(s) Type	Dry
Combustion Air Flow: CFM (m ³ /min)	543.85 (15.40)
Cooling Fan Air Flow: CFM (m ³ /min)	9963.1 (282.1)
Maximum Air Intake Restriction	
Clean: in. H ₂ O (kPa)	16.05 (4.00)
Dirty: in. H ₂ O (kPa)	32.11 (8.00)

Exhaust System

Gas Temperature: °F (°C)	948.2 (509.0)
Gas Flow: CFM (m ³ /min)	1210.2 (34.2)
Max Exhaust Back Pressure: in. H ₂ O (kPa)	60.20 (15.00)
Exhaust Outlet Size: in. (mm)	4.56 (115.90)

Sound Level

Open Unit Without Exhaust: dBA 3.2 ft (1M)	98.8
--	------

Filters and Quantity

Air Cleaner Quantity	1
Oil Filter(s) Quantity	1
Fuel Filter(s) Quantity	2

Fuel Consumption - 125°C

At 100% of Power Rating: gal/hr (L/hr)	13.79 (52.20)
At 75% of Power Rating: gal/hr (L/hr)	12.76 (48.30)
At 50% of Power Rating: gal/hr (L/hr)	10.25 (38.80)
At 25% of Power Rating: gal/hr (L/hr)	6.23 (23.60)

Fuel Consumption - 105°C

At 100% of Power Rating: gal/hr (L/hr)	N/A
At 75% of Power Rating: gal/hr (L/hr)	N/A
At 50% of Power Rating: gal/hr (L/hr)	N/A
At 25% of Power Rating: gal/hr (L/hr)	N/A

Cooling System

Rejection to Charge Cooler: kW (BTUM)	36.6 (2081.4)
Rejection to Coolant & Oil: kW (BTUM)	85.0 (4833.9)
Coolant Flow: gal/min (L/min)	44.9 (170.0)

GENERAL GUIDELINES FOR DERATION: Altitude: Derate 0.5% per 100m (328 ft.) Elevation above 1000m (3279 ft.) Temperature: Derate 1.0% per 10°C (18°F) temperature above 25°C (77°F)

RATINGS: All three-phase units are rated at 0.8 power factor. All single-phase units are rated at 1.0 power factor.

125° RATINGS: 125° apply to installations served by a reliable utility source. The standby rating is applicable to varying loads for the duration of a power outage. There is no overload capability for this rating. Ratings are in accordance with ISO-3046/1, BS 5514, AS 2789, and DIN 6271.

105° RATINGS: 105° ratings apply to installations where utility power is unavailable or unreliable. At varying load the number of generator set operating hours is unlimited. A 10% overload capacity is available for one hour in twelve. Ratings are in accordance with ISO-8528/1, overload power in accordance with ISO-3046/1, BS5514, AS2789, and DIN 6271. For limited running time and base load ratings consult the factory. The generator set manufacturer reserves the right to change the design or specifications without notice and without any obligation or liability whatsoever.

Alternator Data

Manufacturer	Marathon	
Type	PMG	
Insulation NEMA Rise/Temp	NEMA N/125°C	
Hertz	60	
Phase	3	
RPM	1800	
Leads	12	
Amortisseur Windings	Full	
CFM Cooling Required	1100	
Voltage Regulator	DVR2000E+	PM500
Sensing	Three Phase	Three Phase
Voltage Regulation	0.25%	0.25%

Features

- NEMA MG1-32, BS5000, and IEC 34-1 compliant; CE & CSA Certified and UL Listed
- Self-ventilated and drip proof construction
- Two-thirds pitch stator and skewed rotor
- Wet wound, epoxied field windings
- Designed to withstand overspeeds of up to 125%
- Hybrid analog/digital voltage regulator
- Under frequency protection
- Under frequency indication light
- Less than one cycle response time
- Over excitation protection
- Over excitation indication light
- Easy access front-panel adjustments
- Over voltage protection shutdown
- Analog input for paralleling

Alternator Data

Manufacturer	Stamford	
Type	PMG	
Insulation NEMA Rise/Temp	NEMA H/125°C	
Hertz	60	
Phase	3	
RPM	1800	
Leads	12	
Amortisseur Windings	Full	
CFM Cooling Required	1308	
Voltage Regulator	MX341	MX321
Sensing	Single Phase	Three Phase
Voltage Regulation	1.0%	0.50%

Features

- BS EN 60034, BS5000, VDE 0530, NEMA MG1-32, IEC34, CSA C22.2-100, and AS1359 complaint
- IP23 enclosure
- Dynamically balanced to exceed BS6861:Part 1 Grade 2.5 vibration standard
- Quality assurance to BS EN ISO 9001
- Self-ventilated and
- Drip proof construction
- Two-thirds pitch stator and skewed rotor
- Heavy duty bearings
- Fully guarded
- Overexcitation protection
- Under frequency protection
- Analog input
- Overvoltage protection
- Paralleling compatible



DGC2020 Digital Controller

- Integrated engine-genset control, protection, and metering
- Microprocessor allows for exact measurement, setpoint adjustment, and timing functions
- Front panel 3 position controls and indicators enable quick and simple operation
- Emergency stop push button and an Alarm Horn with silence button
- A wide temperature-range liquid crystal display (LCD) with backlighting
- SAE J1939 Engine ECU communications
- Remote RS-485 communications for Optional RDP-110 Remote Annunciator
- 4 programmable contact inputs and 10 contact outputs (2 ADC rated)
- Modbus Communications with RS-485, Battery Backup for Real Time Clock, UL recognized, CSA certified, CE approved, HALT (Highly Accelerated Life Tests) tested
- IP 54 Front Panel rating with integrated gasket and NFPA 110 Level 1 Compatible.
- Manual Override Keyswitch



Analog Controller with Emergency Bypass Key Switch

- Automatic CANBUS Engine Control
- Oil Pressure, Water Temperature, Battery Voltage and RPM Gauges
- Automatic Gauge Zeroing on Shutdown
- AC Voltage, Frequency, Percent of Load, and Run-Time Metering
- 3-Position Auto-Off-Manual Control Switch
- LED Status Lights: Low Oil Pressure, High Temperature, Overcrank, Overspeed, & Engine Start



Standard Features:

Warranty

2 Year Standard
5 Year Comprehensive

- Heavy Duty Steel Base
- Vibration Isolators
- Oil Drain Valve with Extension
- Battery Rack & Cables
- High Ambient Unit Mounted Radiator
- Battery Charging Alternator
- Factory Powder Coating
- Factory Test
- Owner's Manual

Controller Options

DGC-2020HD Controller
Fiber Optic Ethernet (DGC-2020HD)
RS-232 Port & Generator Protection (DGC-2020)
Flush or Surface Mount Remote Annunciator
Remote Mount Break Glass E-Stop Switch

Miscellaneous Options:

- Battery Charger
- Coolant Drain Kit
- Block Heater
- Line Circuit Breaker
- Pad Type Battery Heater
- Battery Heater Blanket w/Thermostat
- Oil Pan Heater
- Generator Strip Heater

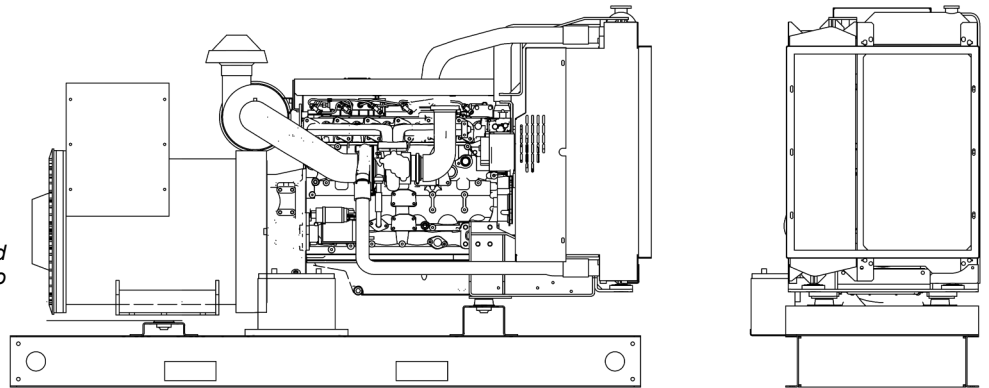
Open Unit

Options:

- Radiator Duct Flange
- Flex Exhaust
- Critical Silencer
- Sub-Base Fuel Tank

OVERALL SIZE: 98"L x 30"W x 62"H
 Approximate Weight: 3,500 lbs.

Note: Dimensions and weights reflect standard open unit with no options and are subject to change.



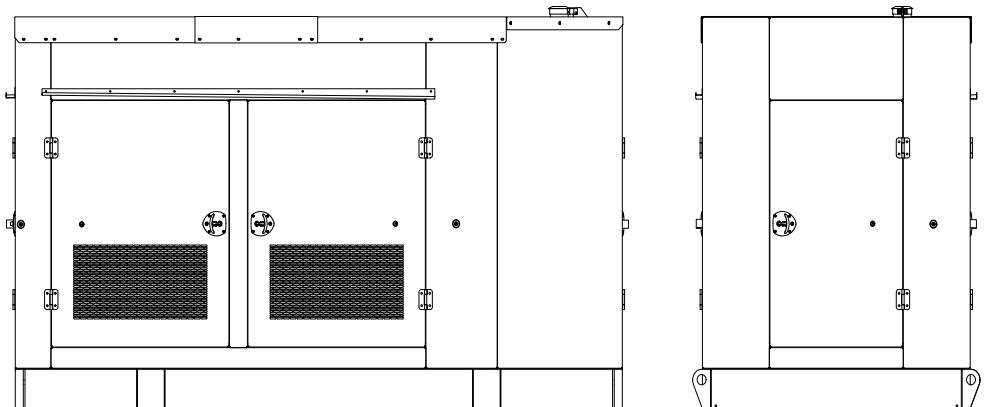
Standard Enclosed Unit

Options:

- Sound Attenuated Enclosure
- Load Center, Lights & GFI Receptacle
- Sub-Base Fuel Tank

OVERALL SIZE: 136"L x 60"W x 78"H
 Approximate Weight: 5,500 lbs.

Note: Dimensions and weights reflect standard enclosed unit with no options and are subject to change.



Note: The above drawings are provided for reference only and should not be used for planning installation.

Contact your local distributor for more information.