



### EPA Certified / Stationary Emergency

OUTPUT POWER OPTIONS					STANDBY RATING		sKVA
Make	Voltage	Alternator	Phase	Hertz	kW/kVA	Amps	30% Voltage Dip
Stamford	600	HCI534D17	3	60	450/563	542	1520
	277/480	HCI534D311	3	60	450/563	677	1750
	120/208	HCI534D311	3	60	450/563	1563	1390
	120/240	HCI534D311	3	60	450/563	1355	1390
	120/240	HCI534D311	1	60	230/230	958	930
Marathon	600	572RSS4270	3	60	450/563	542	1040
	277/480	572RSL4027	3	60	450/563	677	1890
	120/208	572RSL4027	3	60	450/563	1563	1400
	120/240	572RSL4027	3	60	450/563	1355	1400
	120/240	572RSL4027	1	60	283/283	1179	465
Marathon	277/480	572RSL4029	3	60	450/563	677	2180
	120/208	572RSL4029	3	60	450/563	1563	1625
	120/240	572RSL4029	3	60	450/563	1355	1625
	120/240	572RSL4029	1	60	308/308	1283	480



**Engine Data**

Manufacturer	Perkins
Model	2506D-E15TAG1
Aspiration	Turbocharged
EPA Tier	3
Charge Air Cooling System	Air-to-Air
Arrangement	Vertical Inline, 4-Cycle
Firing Order	1-5-3-6-2-4
Displacement: L (in. <sup>3</sup> )	15.20 (927.56)
Bore: mm (in.)	137.0 (5.4)
Stroke: mm (in.)	171.0 (6.7)
Compression Ratio	16.3:1
BMEP: psi (kPa)	331.3 (2284.0)
Net Horsepower	656.6
Rated RPM	1800
Governor	Isochronous
Speed Regulation	±0.25%

**Engine Liquid Capacity**

Oil System: qt. (L)	65.5 (62.0)
Cooling Capacity: gal (L)	15.3 (58.0)

**Engine Electrical**

Electric Volts: DC	24
Cold Cranking Amps	1100
Battery(s) Required	2

**Fuel System**

Fuel Injection Type	MEUI
Fuel Pump Rate: gal/hr (L/hr)	120.7 (457.0)
Max Suction Head: ft (m)	9.84 (3.00)
Max Pressure Head: ft (m)	13.12 (4.00)
Recommended Fuel	Low Sulfur Diesel

**Air Requirements**

Air Filter(s) Type	Dry
Combustion Air Flow: CFM (m <sup>3</sup> /min)	1466.0 (41.5)
Maximum Air Intake Restriction	
Clean: in. H <sub>2</sub> O (kPa)	14.9 (3.7)
Dirty: in. H <sub>2</sub> O (kPa)	24.89 (6.20)
Radiator Air Flow: CFM (m <sup>3</sup> /min)	29,028.7 (822.0)

**Exhaust System**

Gas Temperature: °F (°C)	1022 (550)
Gas Flow: CFM (m <sup>3</sup> /min)	3955 (112)
Max Back Pressure: in. H <sub>2</sub> O (kPa)	27.3 (6.8)
Exhaust Outlet Size: in. (mm)	5.00 (127.00)

**Sound Level**

Open Unit Without Exhaust: dBA 3.2 ft (1M)	105.2
--	-------

**Filters and Quantity**

Air Cleaner Quantity	1
Oil Filter(s) Quantity	1
Fuel Filter(s) Quantity	2

**Fuel Consumption**

At 100% of Power Rating: gal/hr (L/hr)	33.29 (126.00)
At 75% of Power Rating: gal/hr (L/hr)	N/A
At 50% of Power Rating: gal/hr (L/hr)	N/A
At 25% of Power Rating: gal/hr (L/hr)	N/A

**Cooling System**

Rejection to Charge Cooler: kW (BTUM)	128.0 (7279.2)
Rejection to Coolant & Oil: kW (BTUM)	178.0 (10,123.0)
Coolant Flow: gal/min (L/min)	114.1 (432.0)

**GENERAL GUIDELINES FOR DERATION:** Altitude: Derate 0.5% per 100m (328 ft.) Elevation above 1000m (3279 ft.) Temperature: Derate 1.0% per 10°C (18°F) temperature above 25°C (77°F)

**RATINGS:** All three-phase units are rated at 0.8 power factor. All single-phase units are rated at 1.0 power factor.

**125° RATINGS:** 125° apply to installations served by a reliable utility source. The standby rating is applicable to varying loads for the duration of a power outage. There is no overload capability for this rating. Ratings are in accordance with ISO-3046/1, BS 5514, AS 2789, and DIN 6271. For limited running time and base load ratings consult the factory. The generator set manufacturer reserves the right to change the design or specifications without notice and without any obligation or liability whatsoever.

## Alternator Data

Manufacturer	Stamford	
Type	PMG	
Insulation Class	NEMA H	
Temperature Rise	125°C Standby	
Hertz	60	
RPM	1800	
Amortisseur Windings	Full	
CFM Cooling Required	2780	
Voltage Regulator	MX341	MX321
Sensing	Single Phase	Three Phase
Voltage Regulation	1.0%	0.50%

## Features

- BS EN 60034, BS5000, VDE 0530, NEMA MG1-32, IEC34, CSA C22.2-100, and AS1359 compliant
- IP23 enclosure
- Dynamically balanced to exceed BS6861:Part 1 Grade 2.5 vibration standard
- Quality assurance to BS EN ISO 9001
- Self-ventilated and Drip proof construction
- Two-thirds pitch stator and skewed rotor
- Heavy duty bearings
- Fully guarded
- Overexcitation protection
- Under frequency protection
- Analog input
- Overvoltage protection
- Paralleling compatible

## Alternator Data

Manufacturer	Marathon	
Type	PMG	
Insulation Class	NEMA N	
Temperature Rise	125°C Standby	
Hertz	60	
RPM	1800	
Amortisseur Windings	Full	
CFM Cooling Required	1520	
Voltage Regulator	DVR2400	PM500
Sensing	Three Phase	Three Phase
Voltage Regulation	0.25%	0.25%

## Features

- NEMA MG1-32, BS5000, and IEC 34-1 compliant; CE & CSA Certified and UL Listed
- Self-ventilated and drip proof construction
- Two-thirds pitch stator and skewed rotor
- Wet wound, epoxied field windings
- Designed to withstand overspeeds of up to 125%
- Hybrid analog/digital voltage regulator
- Under frequency protection
- Under frequency indication light
- Less than one cycle response time
- Over excitation protection
- Over excitation indication light
- Easy access front-panel adjustments
- Over voltage protection shutdown

## Control Panels



### DeepSea 7310 MKII

Simultaneous Use of RS232 & RS485  
 Modbus RTU Support  
 Fully Configurable Using USB, RS232 & RS485  
 IP65 Rating  
 6 Programmable Inputs & 8 Outputs  
 UL & cUL Listed and CE Certified



### Basler DGC2020

SAE J1939 Engine ECU Communications  
 4 Programmable Inputs & 10 Outputs  
 Modbus Communications With RS485  
 UL Recognized, CSA & CE Certified  
 IP 54 Front Panel Rating  
 NFPA 110 Level 1 Compatible  
 Manual Override Keyswitch  
 DGC2020HD Variant Available



### Taylor Analog

Automatic CANBUS Engine Control  
 Gauge Zeroing on Shutdown  
 Auto-Off-Manual Control Switch  
 Oil Pressure, Water Temperature, Battery Voltage and RPM Gauges  
 AC Voltage, Frequency, Percent of Load, and Run-Time Metering  
 LED Status Lights



**Standard Features:**

**Warranty**

2 Year Standard
5 Year Comprehensive

- |                                    |                        |
|------------------------------------|------------------------|
| Heavy Duty Steel Base              | Battery Charger        |
| Vibration Isolators                | Block Heater           |
| Oil Drain Valve with Extension     | Factory Powder Coating |
| Coolant Drain Kit                  | Factory Load Test      |
| High Ambient Unit Mounted Radiator | Owner's Manual         |

**Controller Options**

DGC2020HD Controller
Fiber Optic Ethernet (DGC2020HD)
RS-232 Port & Generator Protection (DGC2020)
Flush or Surface Mount Remote Annunciator
Remote Mount Break Glass E-Stop Switch

**Miscellaneous Options:**

- |                        |                         |
|------------------------|-------------------------|
| Generator Strip Heater | Pad Type Battery Heater |
| Spring Isolators       | Battery Heater Blanket  |
| Line Circuit Breaker   | Oil Pan Heater          |

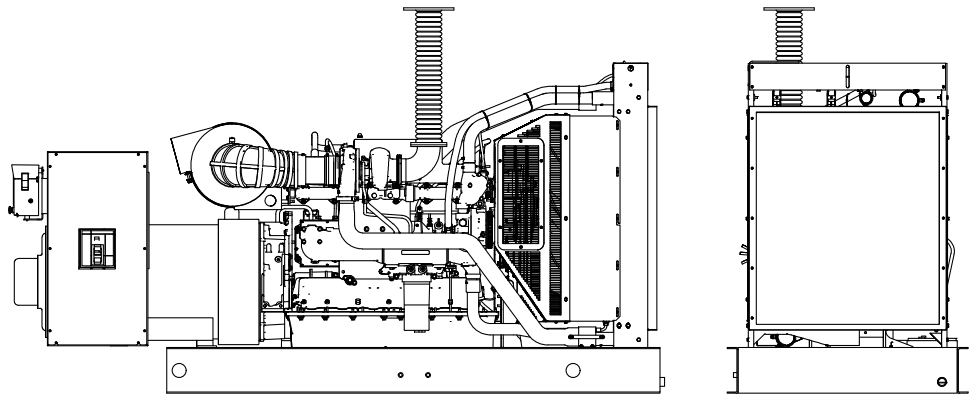
**Open Unit**

**Options:**

- Radiator Duct Flange
- Flex Exhaust
- Critical Silencer
- Sub-Base Fuel Tank

Overall Size: 142"L x 53"W x 84"H  
 Approximate Weight: 7,850 lbs.

*Note: Dimensions and weights reflect standard open unit with no options and are subject to change.*



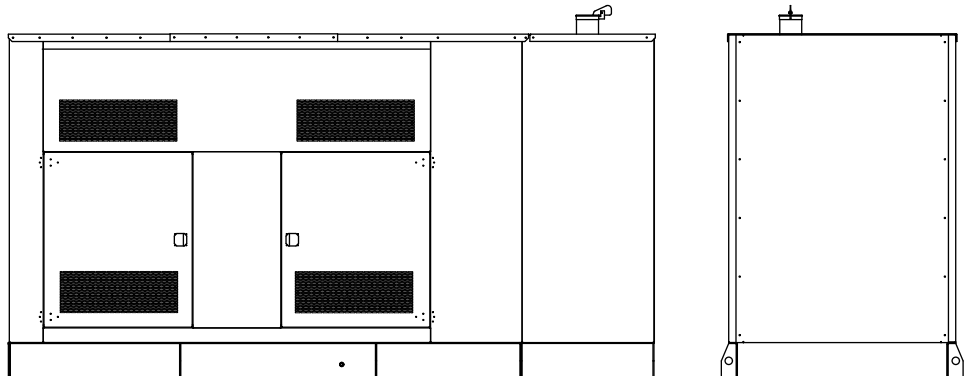
**Standard Enclosed Unit**

**Options:**

- Sound Attenuated Enclosure
- Load Center, Lights & GFI Receptacle
- Sub-Base Fuel Tank

Overall Size: 192"L x 66"W x 102"H  
 Approximate Weight: 10,350 lbs.

*Note: Dimensions and weights reflect standard enclosed unit with no options and are subject to change.*



**Note: The above drawings are provided for reference only and should not be used for planning installation. Contact your local distributor for more information.**